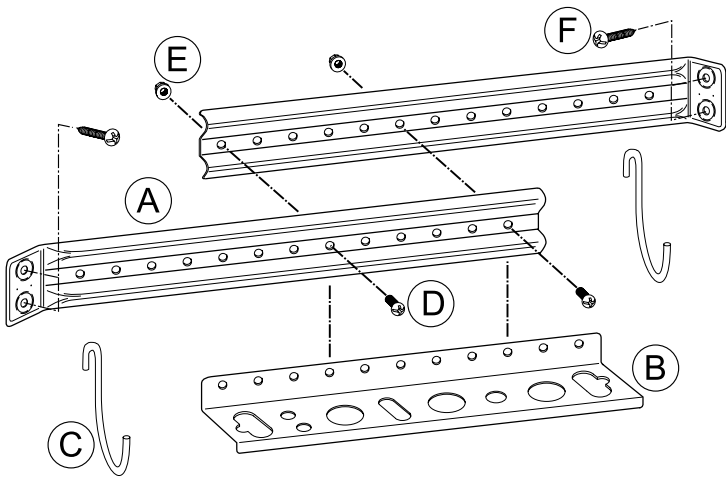


TOOL CORNER™ ASSEMBLY AND INSTALLATION



Model TC 401 - Parts List

- A. 2 Support Arm
- B. 1 Tool Shelf
- C. 2 4" J hook
- D. 2 1/4-20 x 1/2" machine screw
- E. 2 1/4-20 flange nut
- F. 4 #10 x 1-1/2" pan head screw
- G. 1 8 penny duplex nail (not shown)

INSTALLATION TIPS

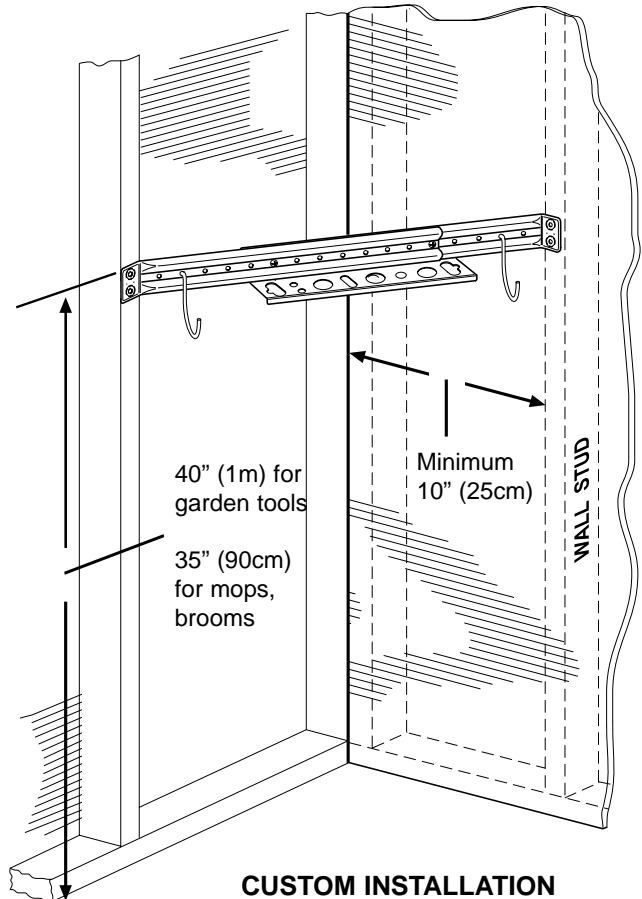
- For garden tool storage, **TOOL CORNER™** must be secured to wall studs.
- For mop, broom and lightweight items only, mount to drywall surfaces with toggle bolts.
- Stud locations vary; select studs at least 10 inches (25cm) from the corner. In the rare case one is not, use Custom Installation.
- For maximum strength, keep a minimum three-hole overlap of the Support Arms.
- No drill? Use the nail provided to make 1/2" (12mm) deep pilot holes. Tap sides of nail lightly to remove.
- Screws must penetrate studs at least 3/4" (19mm). Soap the screws to ease installation.
- Insert accessory hooks into backside of Support Arms. They cannot fall out.
- For masonry walls, drill out dimples and install with lead anchors.

WARNING! WEAR EYE PROTECTION WHEN USING A HAMMER OR DRILL!

- Tools can be dangerous! Watch children. You can install the Tool Shelf separately, out of a child's reach, and easily restore it later.
- Store and remove tools carefully. Sharp edged tools should be placed with the sharp edges facing the corner.

TYPICAL INSTALLATION

1. Select two wall studs near a corner and assemble **TOOL CORNER™** to span the distance between them.
2. As it overhangs a hard surface, hammer the back of each Support Arm end to match the angle to its stud.
3. Make pilot holes and install with screws.



CUSTOM INSTALLATION

To make **TOOL CORNER™** any size you like, or if your wall studs are not conveniently located, mount to one or two stud-bridging boards, 1" x 3" or larger, as below.

